

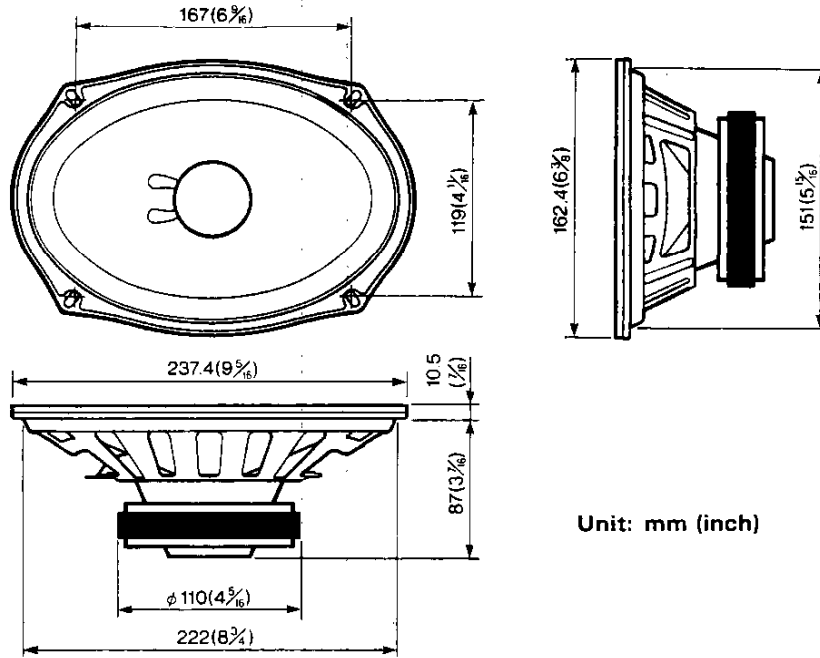
KFC-W169

SERVICE MANUAL

KENWOOD




© 1987-12 PRINTED IN JAPAN
B51-3431-00 (G) 1102

EXTERNAL VIEW



Unit: mm (inch)

PARTS INCLUDED

-  $\phi 4 \times 40 (\phi 3/16 \times 1-9/16)$ $\times 8$
-  $\phi 4 (3/16)$ $\times 8$
-  $\times 8$

SPECIFICATIONS

- Speaker 150mm \times 230mm
(6 \times 9in)
cone type 20oz magnet
- Peak input power 200 Watts
- Sensitivity 89dB/W at 1m
- Frequency response 45 Hz to 7,000 Hz
- Resonant frequency (fo) 45 Hz
- Impedance 4 ohms
- Weight per speaker 1.8kg (4.0 lb)/pc

We follow a policy of advancements in development.
For this reason specifications may be changed without notice.

PARTS LIST

★ New parts
Parts without **Parts No.** are not supplied.
Les articles non mentionnes dans le **Parts No.** ne sont pas fournis.
Teile ohne **Parts No.** werden nicht geliefert.

New Parts	Parts No.	Description
	B46-0100-10	WARRANTY CARD
★	N99-1066-08	SCREW SET
★	T10-0356-08	SPEAKER

